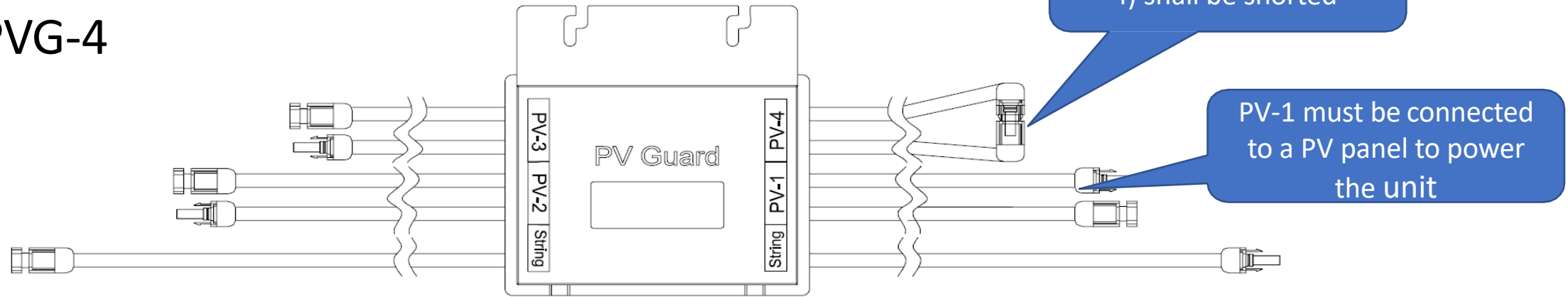


IMPORTANT NOTICE

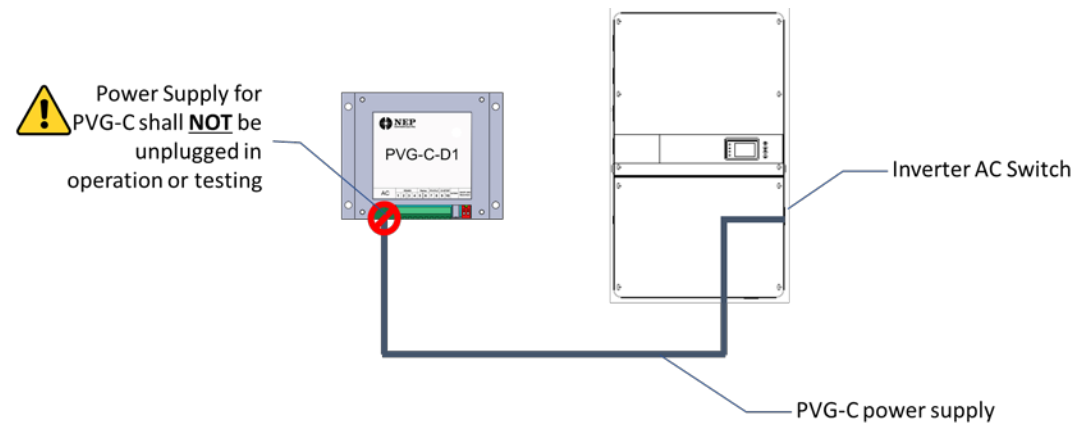
- PVG-4



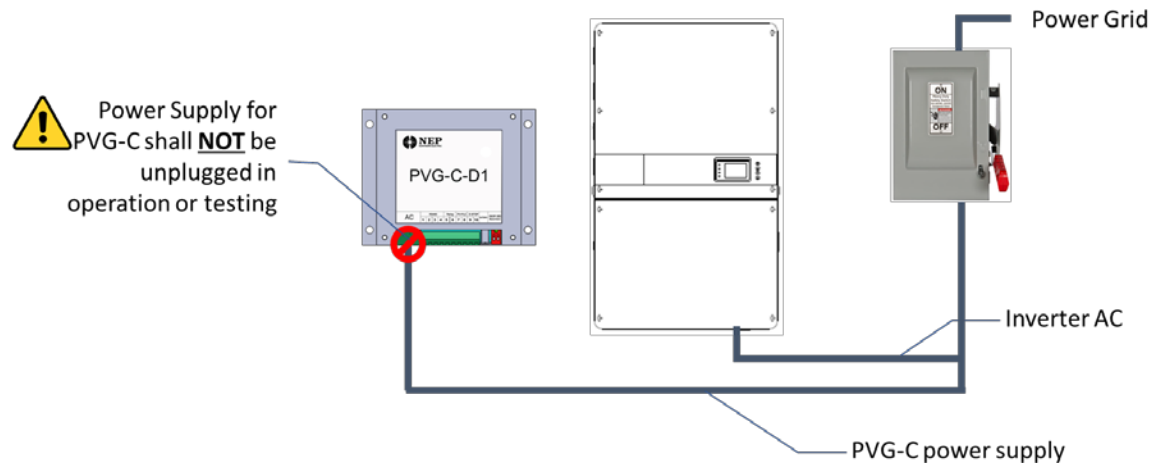
- While plugging or unplugging a PVG in a system, **string fuse must be open** and there should be no current on PV cables.
- PVG is a device with memory. If the last state of a PVG is unknown, please test and confirm it is OFF before wiring. ON state PVGs may result in high voltage on the PV strings.
 - ✓ **PVG string voltage = 0.6V** (OFF)
- Commissioning: Always turn-on inverter DC switch before AC switch
- Testing: Inverter AC shall be switched off before PVG controller is switched off

IMPORTANT NOTICE (Connecting external PVG-C)

- Option-1

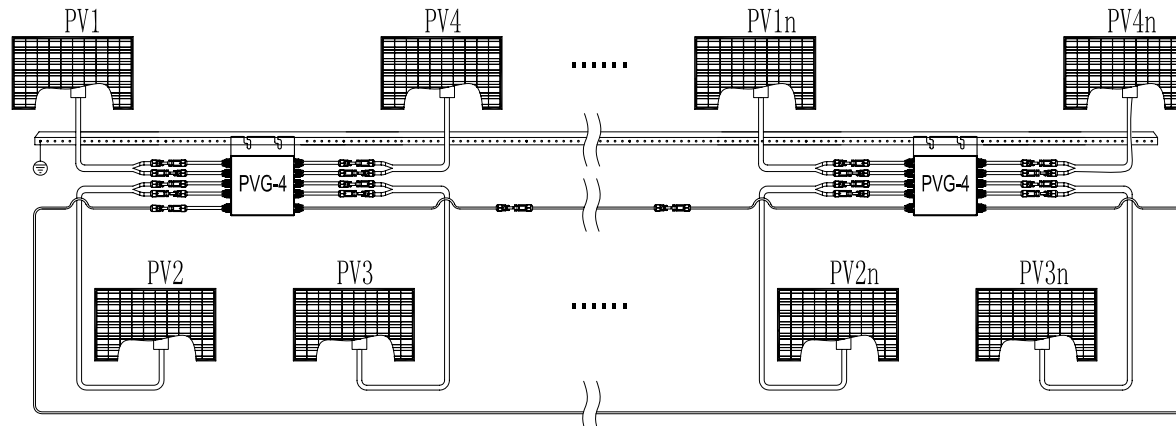


- Option-2

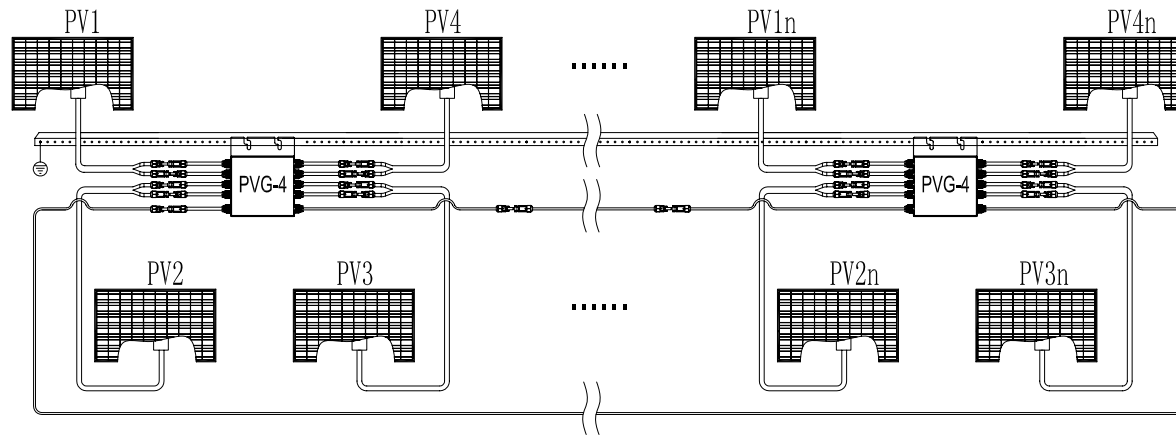


- Before testing RSD function, the inverter AC shall be switched off
- RSD function shall not be tested while DC is under load

Group 1



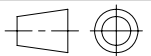
Group m



- E-Stop is an option in PVG-E enclosure
- Monitoring BDG-256 gateway is included in PVG-O enclosure

Quantity:

Material:



Designed by:

Checked by:

Approved by:

Date:

Edition:

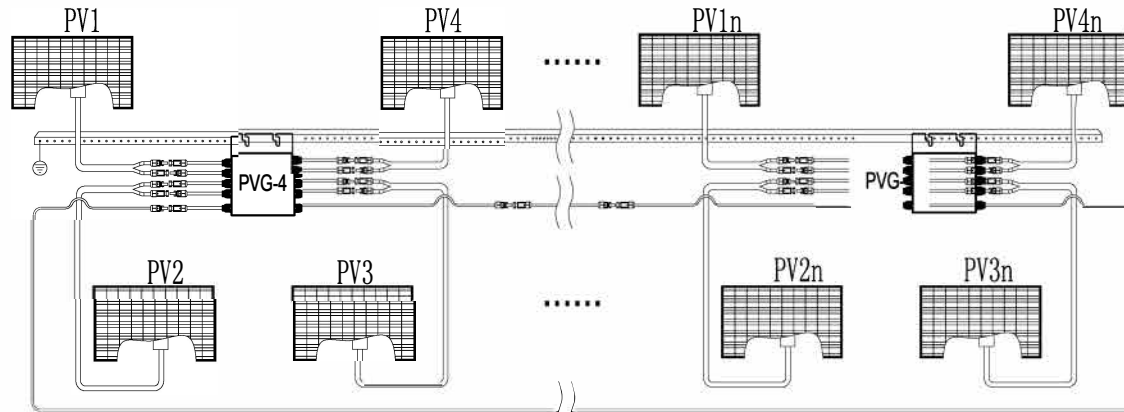
Scale:



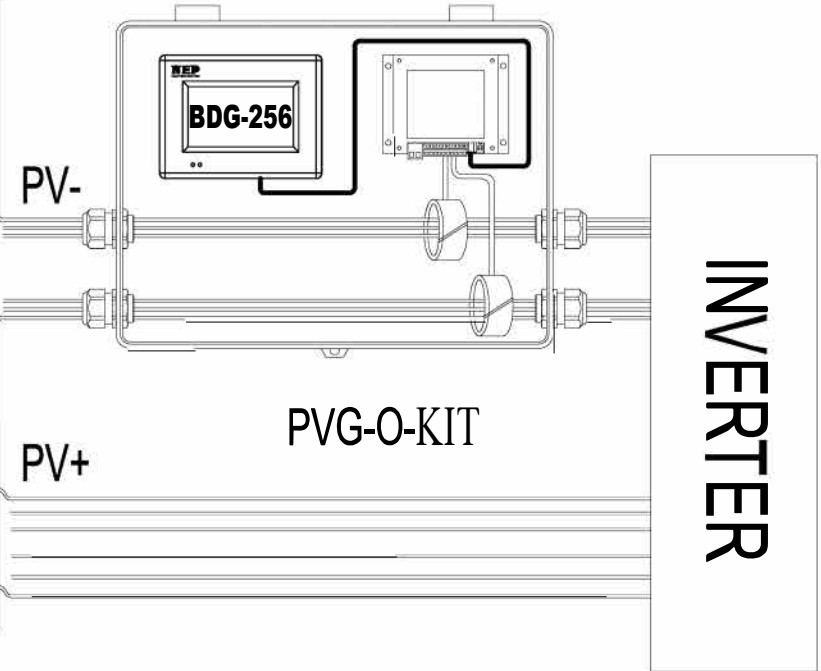
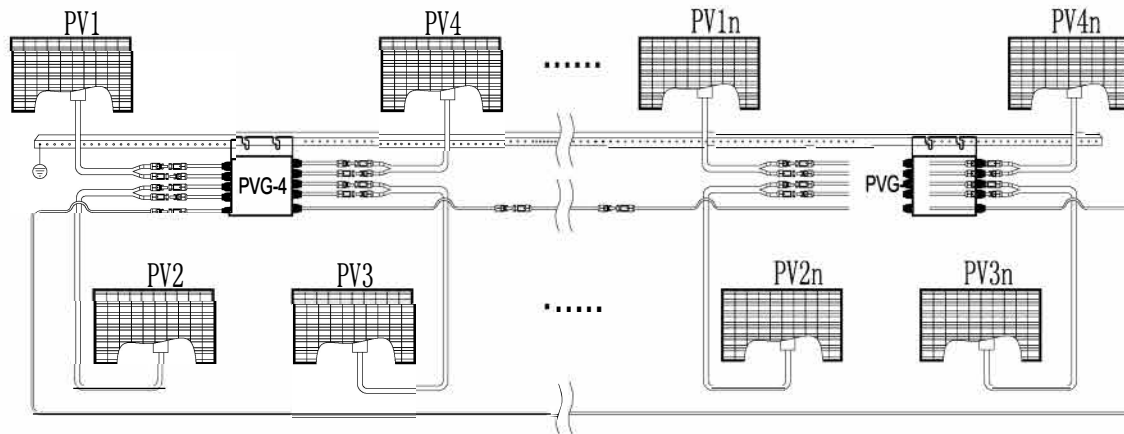
Drawing number:

Sheet 1 of 1

Group 1



Group m



Quantity:

Material:



Designed by:

Checked by:

Approved by:

Date:

Edition:

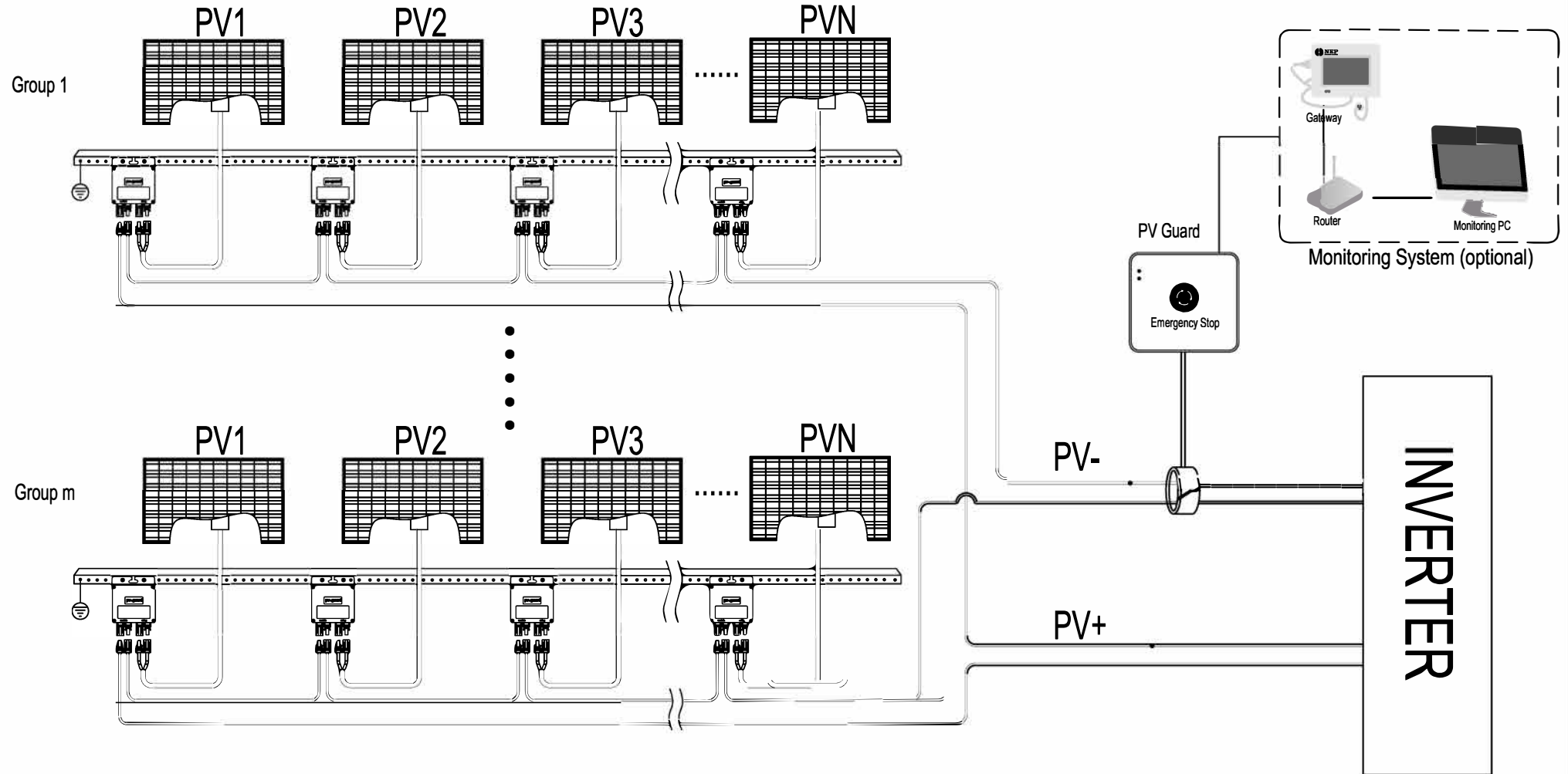
Scale:



Drawing number:

Sheet 1 of 1

PVG-C Controller with PVG-1 Receiver



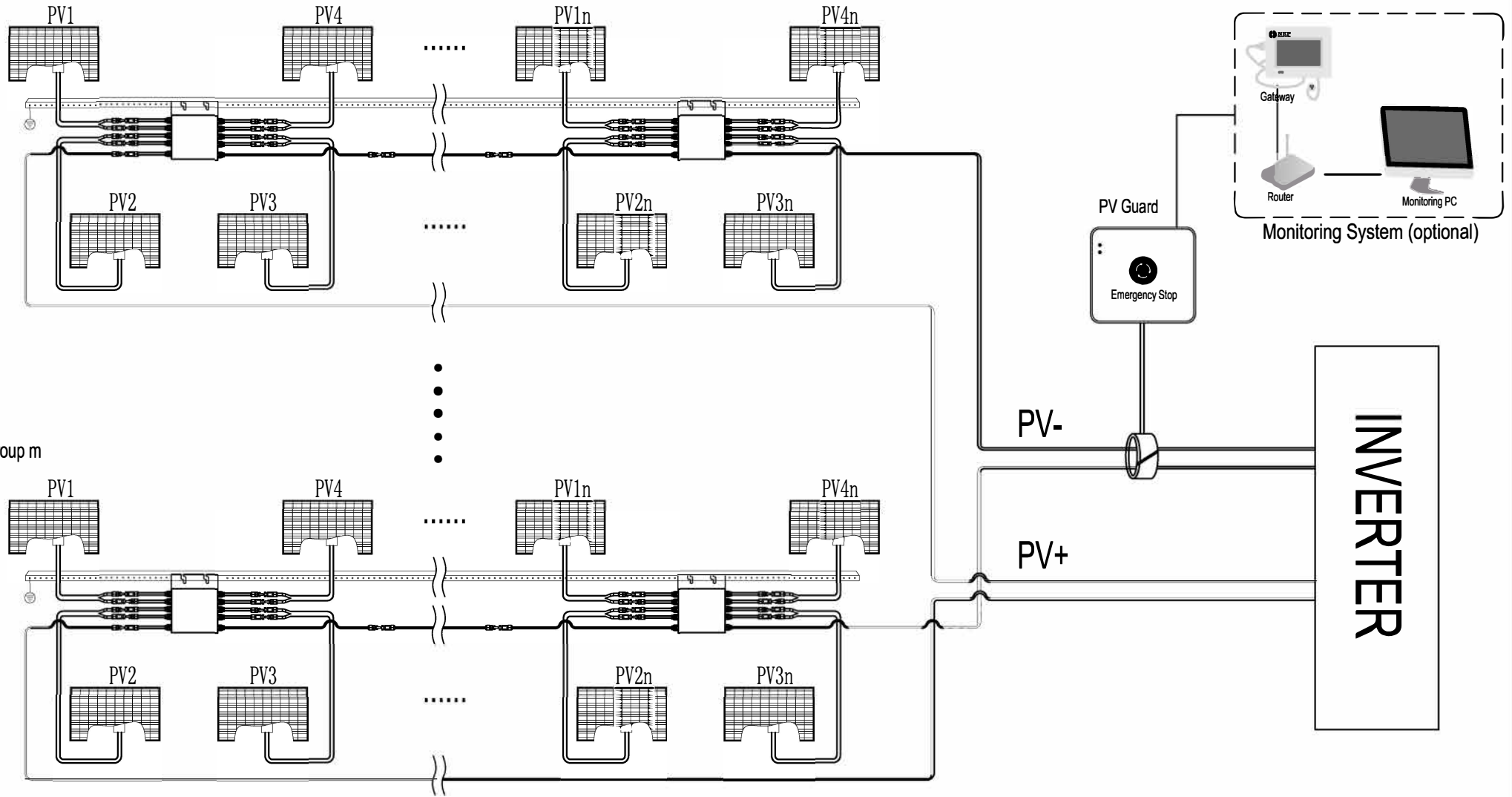
Warning

- a) PVG is a device with memory. If the last state of a PVG is unknown, please test and confirm it is at OFF state before wiring. ON state PVGs may result in high voltage on the PV strings.
- b) While plugging or unplugging PV connections in a system, inverter should be fully disconnected or deactivated and there should be no current on PV cables.

Quantity:		Material:			
Designed by:	Checked by:	Approved by:	Date:	Edition:	Scale:
		Drawing number:			Sheet 1 of 1

Group 1

PVG-C Controller with PVG-4 Receiver



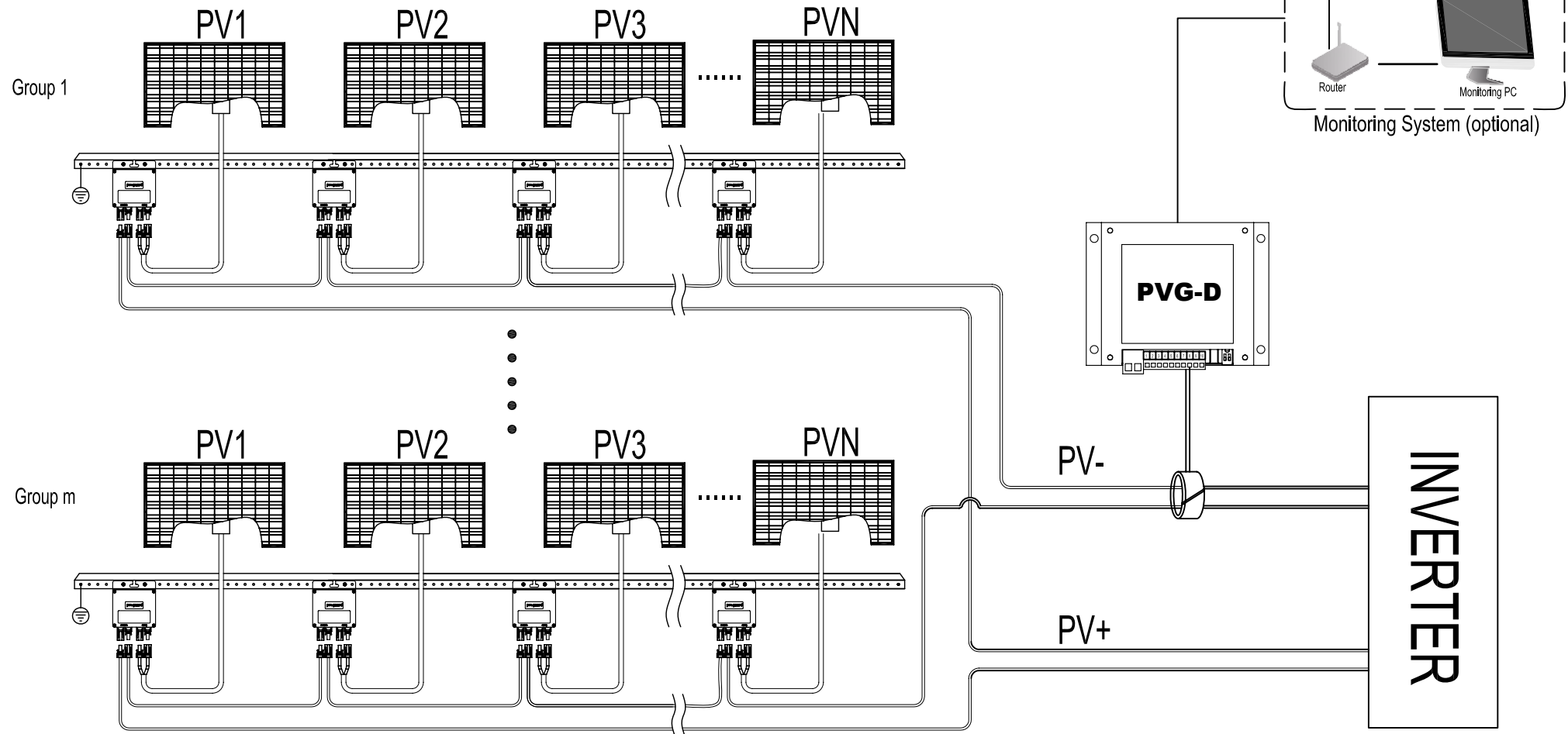
Group m

⚠ Warning

- a) Port PV-1 must be connected to a PV panel to power the PVG. Cables (PV+ and PV-) of an unused PV port shall be connected.
- b) PVG is a device with memory. If the last state of a PVG is unknown, please test and confirm it is at OFF state before wiring. ON state PVGs may result in high voltage on the PV strings.
- c) While plugging or unplugging PV connections in a system, inverter should be fully disconnected or deactivated and there should be no current on PV cables.

Quantity:		Material:				
Designed by:	Checked by:	Approved by:	Date:	Edition:	Scale:	
			Drawing number:		Sheet 1 of 1	

PVG-D Controller with PVG-1 Receiver



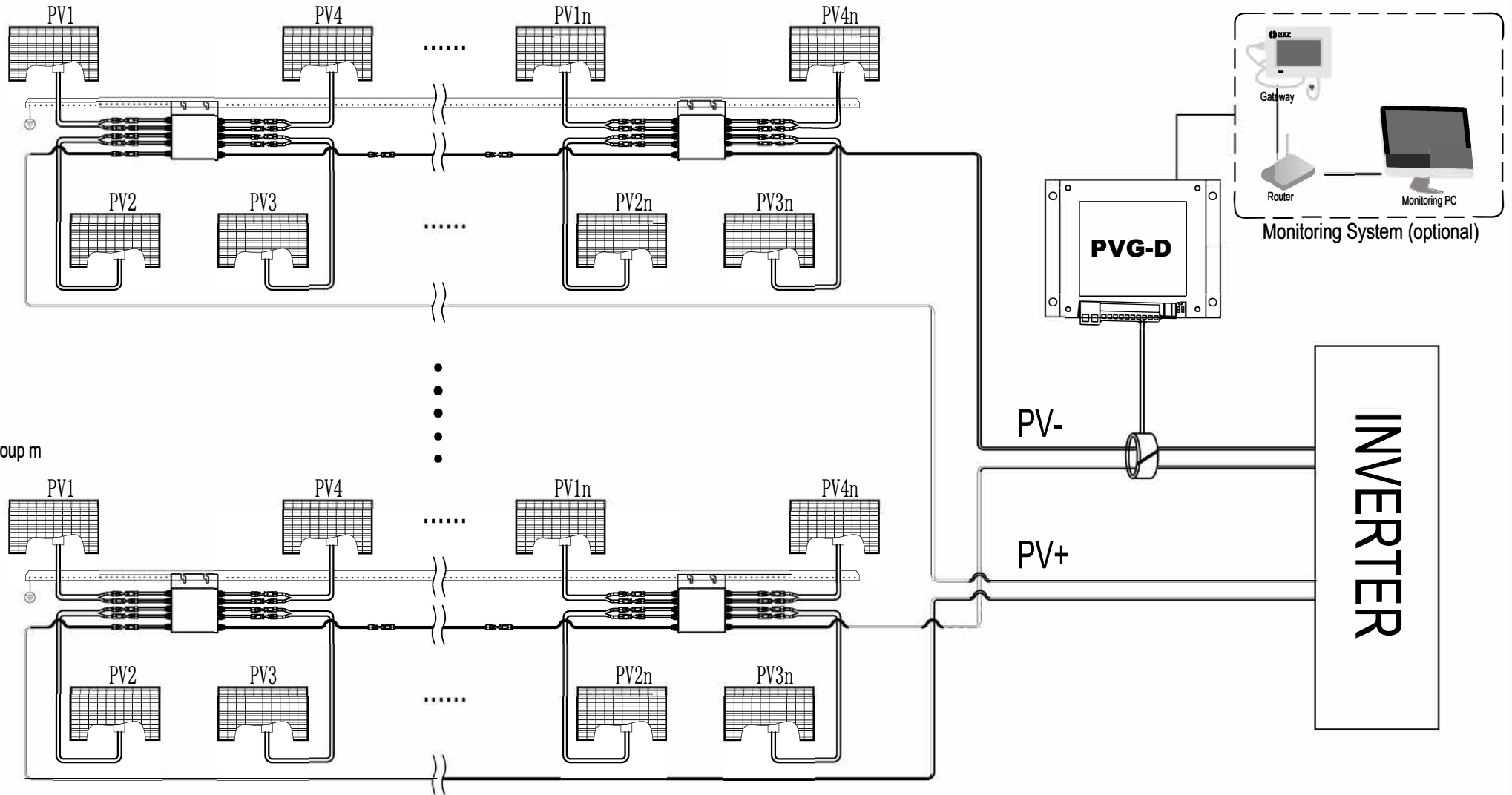
Warning

- a) PVG is a device with memory. If the last state of a PVG is unknown, please test and confirm it is at OFF state before wiring. ON state PVGs may result in high voltage on the PV strings.
- b) While plugging or unplugging PV connections in a system, inverter should be fully disconnected or deactivated and there should be no current on PV cables.

Quantity:		Material:			
Designed by:	Checked by:	Approved by:	Date:	Edition:	Scale:
NEP NORTHERN ELECTRIC		Drawing number:		Sheet 1 of 1	

Group 1

PVG-D Controller with PVG-4 Receiver



Group m

⚠ Warning

- a) Port PV-1 must be connected to a PV panel to power the PVG. Cables (PV+ and PV-) of an unused PV port shall be connected.
- b) PVG is a device with memory. If the last state of a PVG is unknown, please test and confirm it is at OFF state before wiring. ON state PVGs may result in high voltage on the PV strings.
- c) While plugging or unplugging PV connections in a system, inverter should be fully disconnected or deactivated and there should be no current on PV cables.

Quantity:		Material:				
Designed by:	Checked by:	Approved by:	Date:	Edition:	Scale:	
 NEP NORTHERN ELECTRIC			Drawing number:		Sheet 1 of 1	