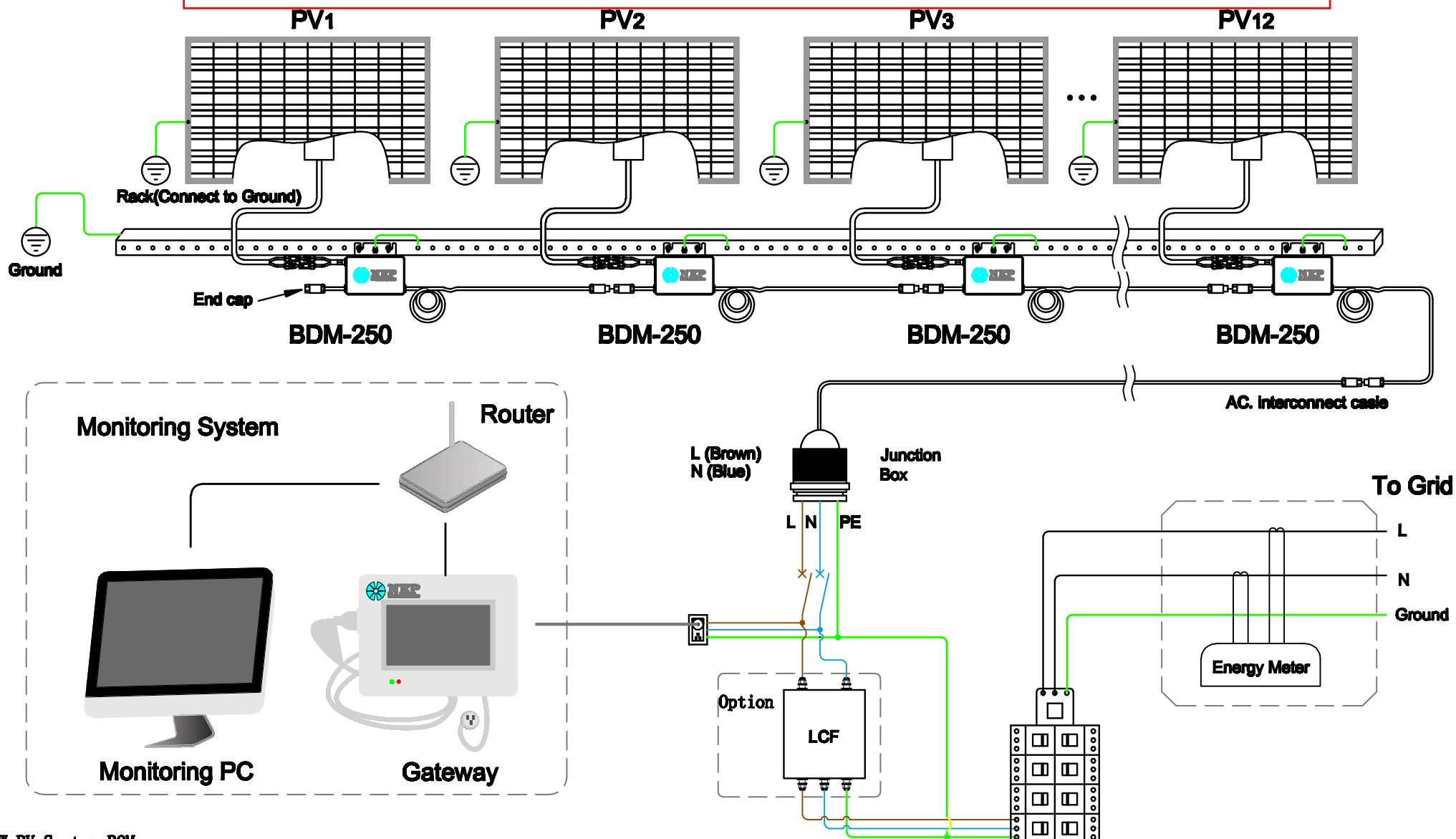


BDM-250 Wiring Diagram, Single phase for Europe

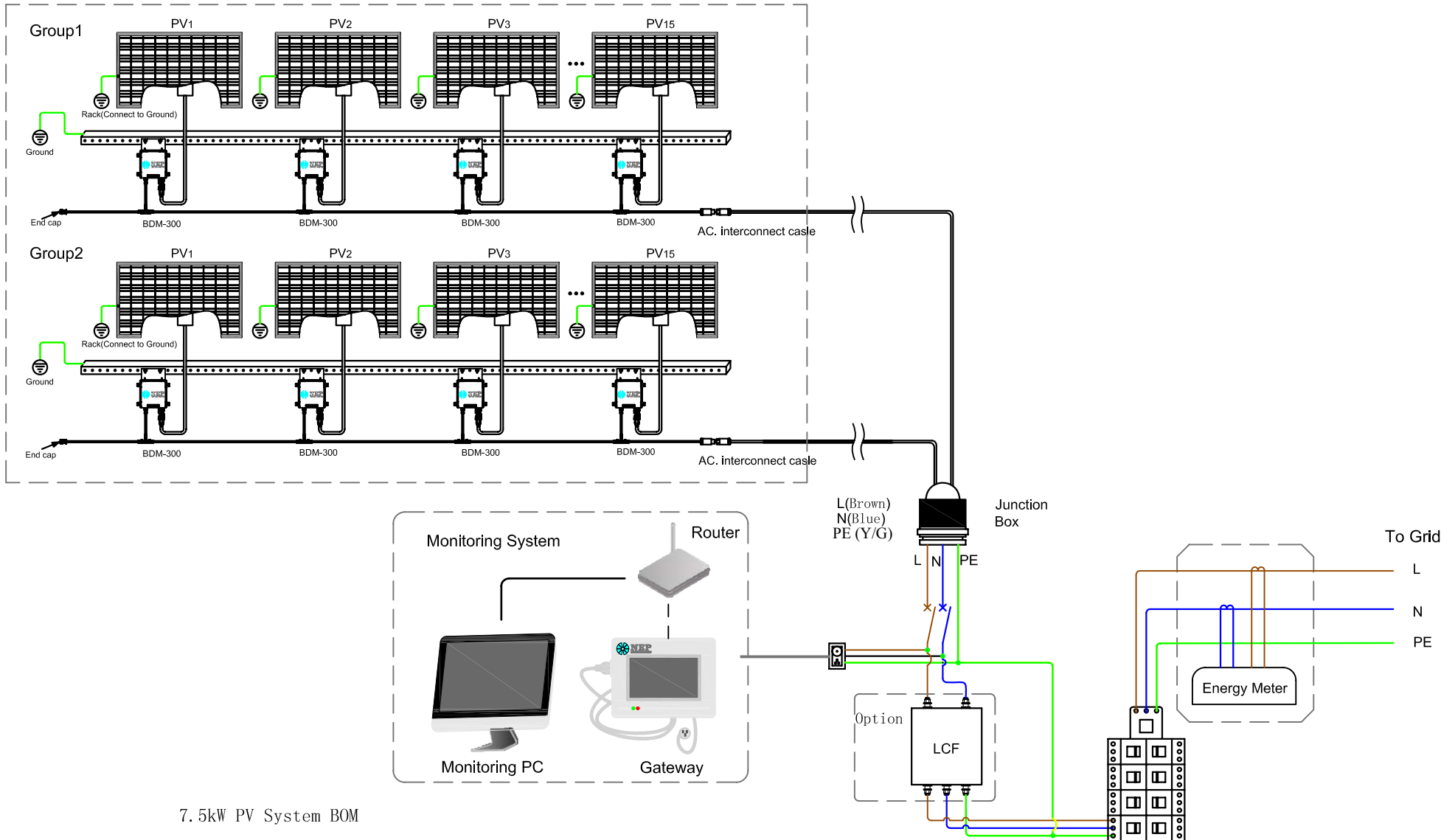


3kW PV System BOM

Specification	Description	Quantity
250W PV module	PV PANELS	12
BDM-250-240A	250W Micro Inverter w/ attached AC cables and accessories	12
BDM-256	Communication Gateway w/ BDM-256-PC-NA power cord	1
LCF(Line Communications Filter)		option
AC interconnect cable	16 feet AC cable w/ female connector	1
End cap	male end cap	1

Quantity:		Material:			
Designed by:	Checked by:	Approved by:	Date:	Edition:	Scale:
NEP <small>NORTHERN ELECTRIC</small>			Title: 3kW PV System (Eu)		
Drawing number:				Sheet 1 of 1	

BDM-300 Wiring Diagram, Single phase for Europe

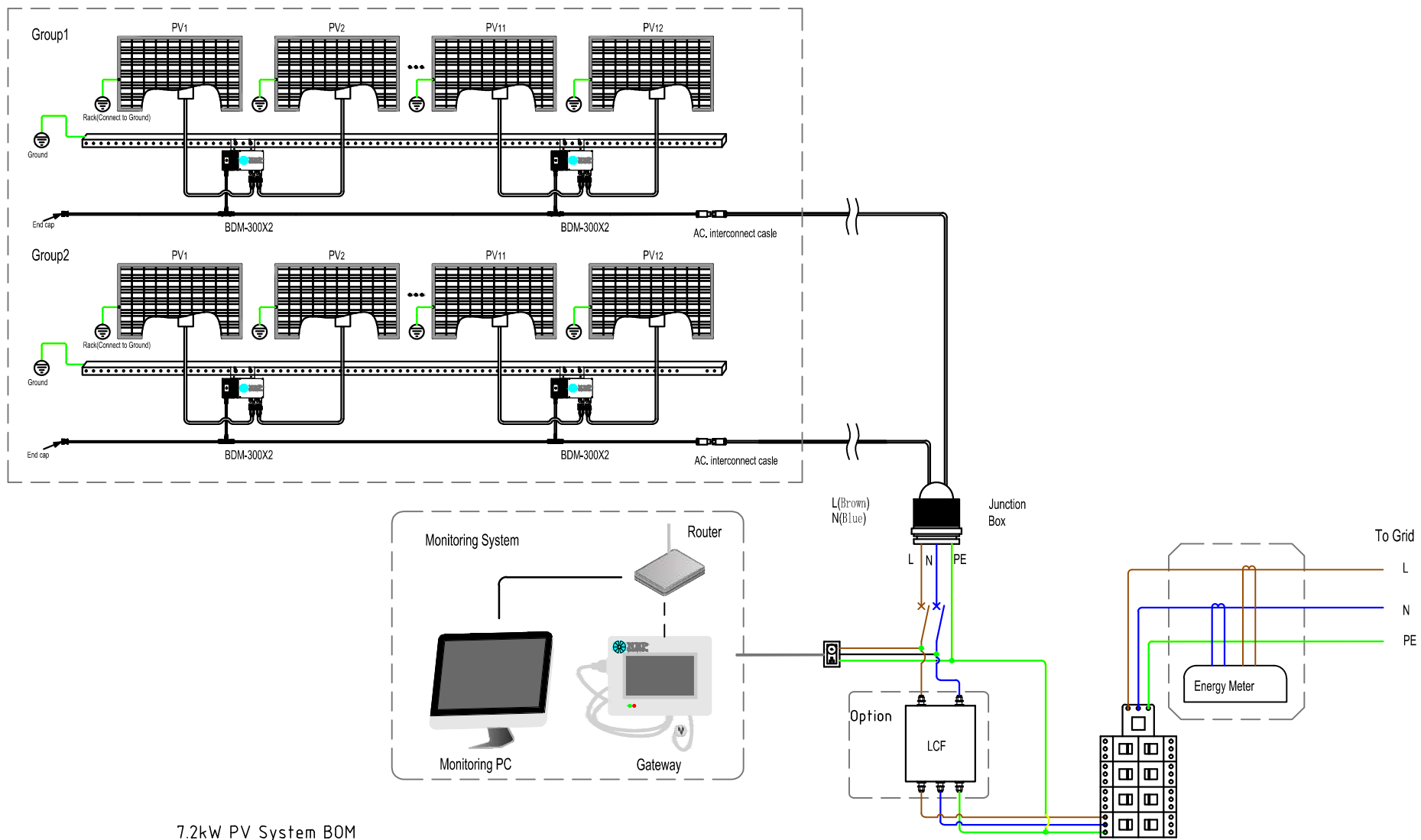


7.5kW PV System BOM

Specification	Description	Quantity
PV module	PV PANELS (300W)	30
BDM-300	Micro Inverter w/integrated grounding	30
BDG-256	Communication Gateway w/BDG-256-PC-NA power cord	1
LCF (Line Communications Filter)		option
Trunk cable drops	4mm ²	30
Male Connector		2
AC interconnect cable	5 meter AC cable w/ female connector	2
End cap	male end cap w/female connector	2

Quantity:	Material:				
Designed by:	Checked by:	Approved by:	Date:	Edition:	Scale:
		Title: 9.0kW PV System (EU)			
Drawing number:				Sheet 1 of 1	

BDM-600 Wiring Diagram, Single phase for Europe

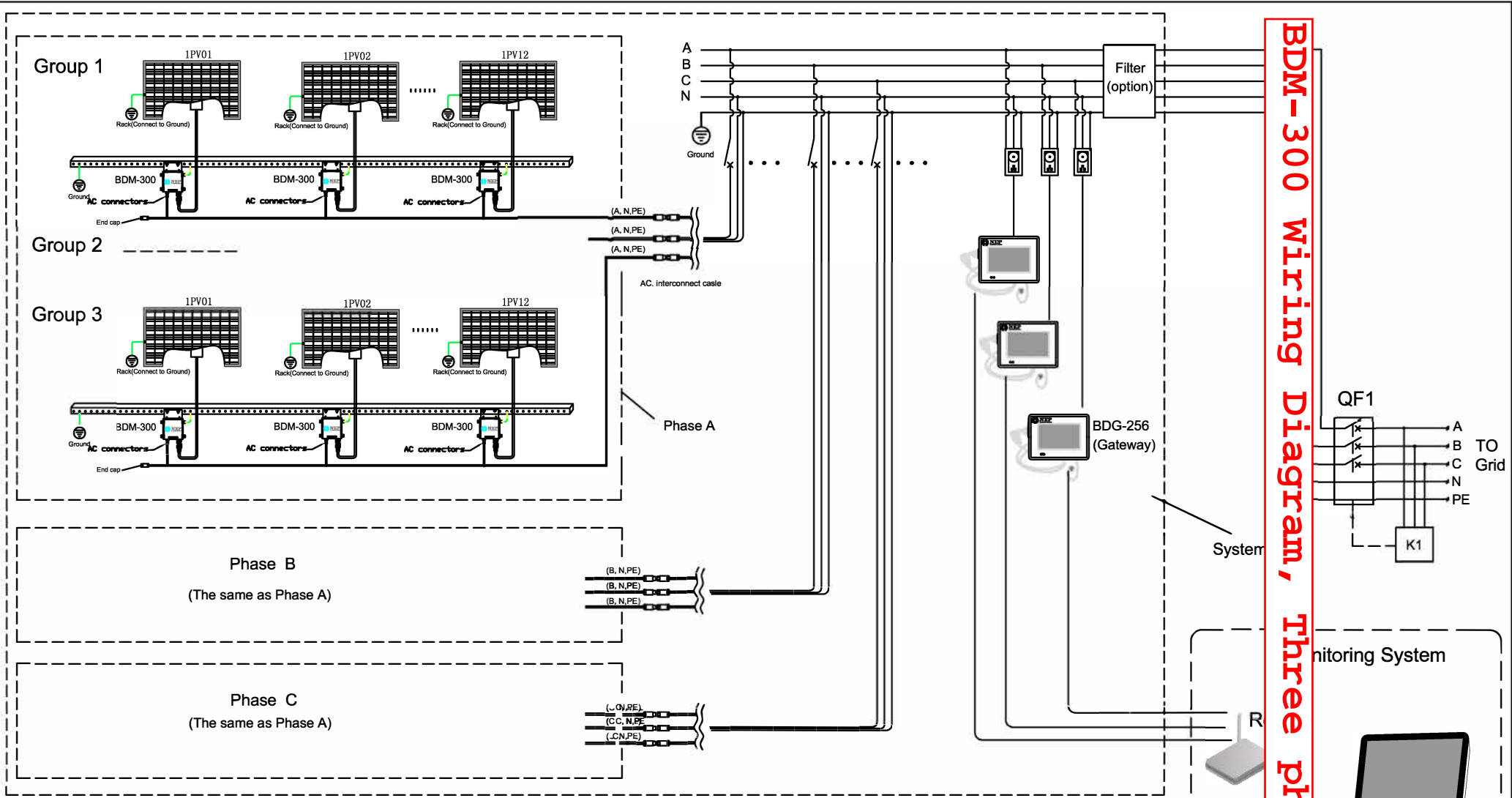


7.2kW PV System BDM

Specification	Description	Quantity
300W PV module	PV PANELS	24
BDM-300X2	Dual Input Micro Inverter	12
BDG-256	Communication Gateway	1
LCF (Line Communications Filter)		option
Trunk cable drops	2m or 4m separate	12
Female Connector	2	
AC interconnect cable	16 feet AC cable w/ female connector	2
End cap	male end cap w/female connector	2

Quantity:		Material:			
Designed by:	Checked by:	Approved by:	Date:	Edition:	Scale:
			Title: 7.5kW PV System (EU)		
Drawing number:				Sheet 1 of 1	

BDM-300 Wiring Diagram, Three phase For Europe



1. K1: Grid feeder protection relay protection levels and trip time set according to utility requirement
2. QF1: three phase circuit breaker controlled by the protection relay

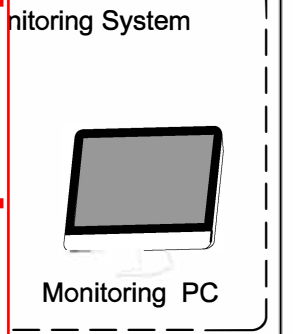
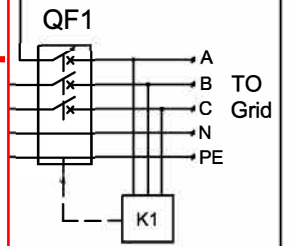
WIRE COLOR

	Europe	Australia
A/B/C	Brown	Red
N	Blue	Black
PE	Green/Yellow	

Quantity : _____ Material : _____
 Designed by : _____ Checked by : _____ Approved by : _____ Date : _____

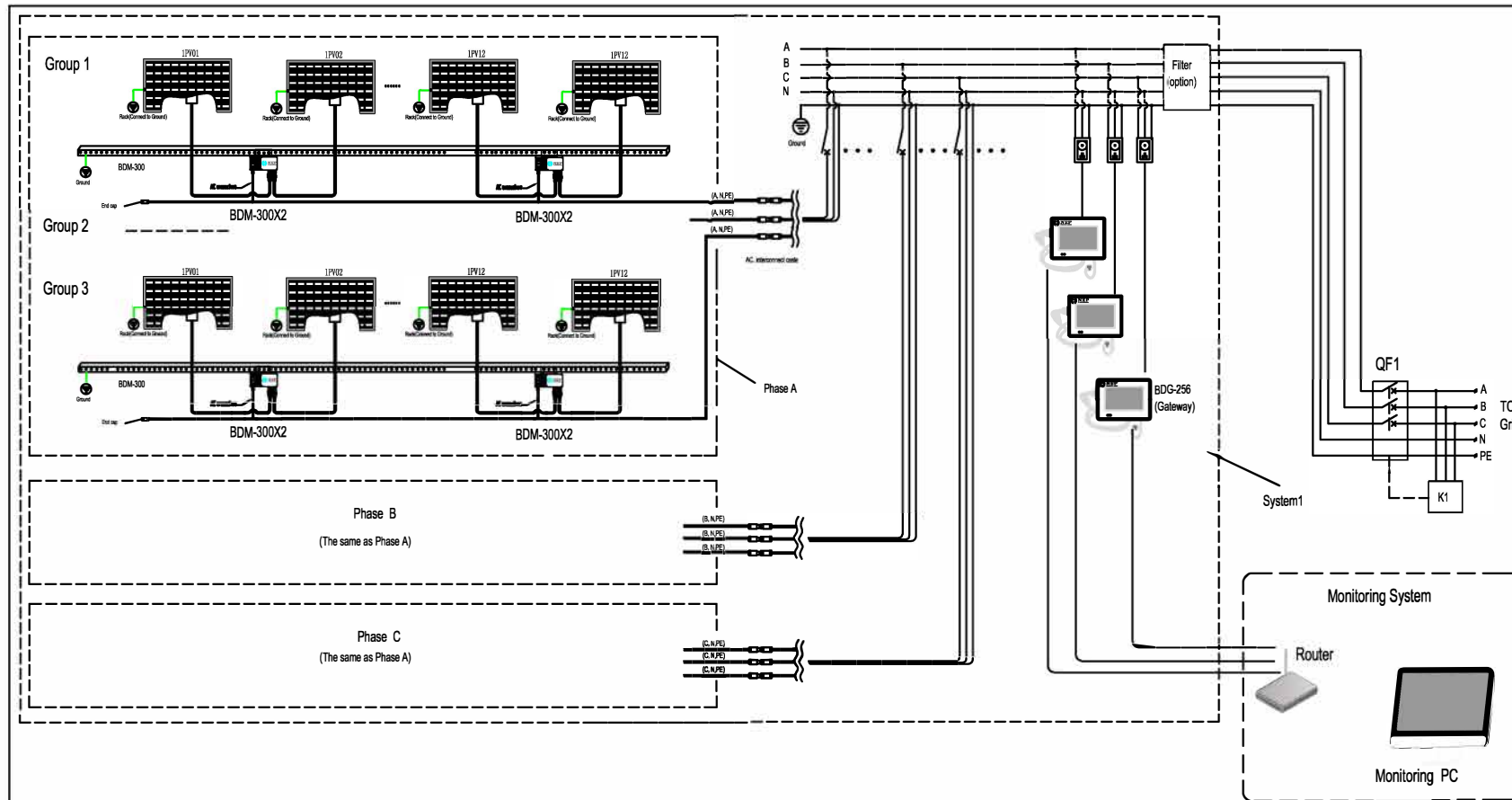


Title : PV System
 Drawing number : _____



Edition : _____ Scale : _____
 Sheet 1 of 1


BDM-600 Wiring Diagram, Three phase For Europe

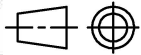


1. K1: Grid feeder protection relay
protection levels and trip time set according to utility requirement
2. QF1: three phase circuit breaker
controlled by the protection relay

WIRE COLOR

	Europe	Australia
A/B/C	Brown	Red
N	Blue	Black
PE	Green/Yellow	

Quantity :		Material :	
Designed by :	Checked by :	Approved by :	Date :
			Title : PV Sytem
			Drawing number :

	
Scale :	
Sheet 1 of 1	