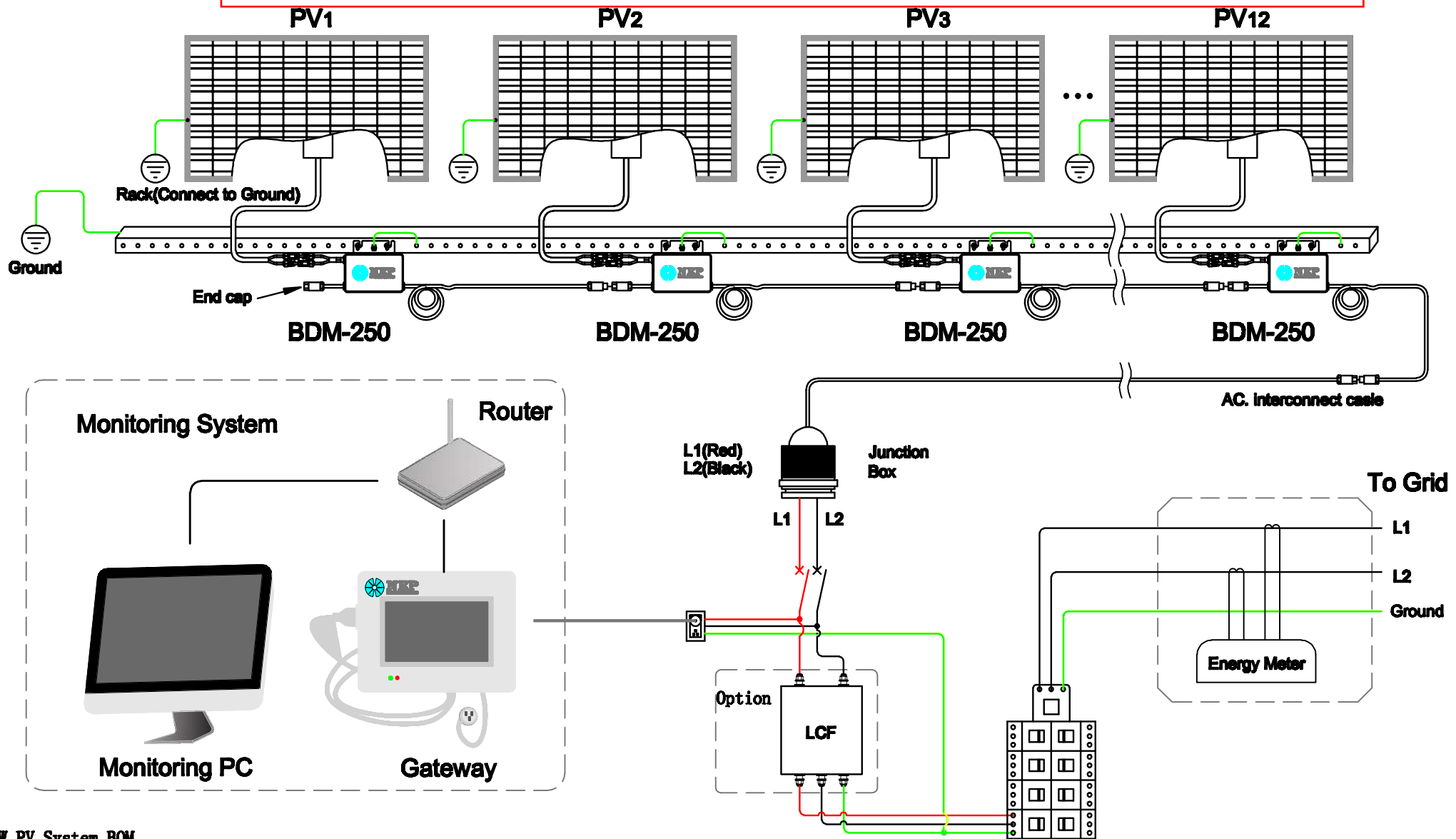


# BDM-250 Wiring Diagram, Single phase for U.S.

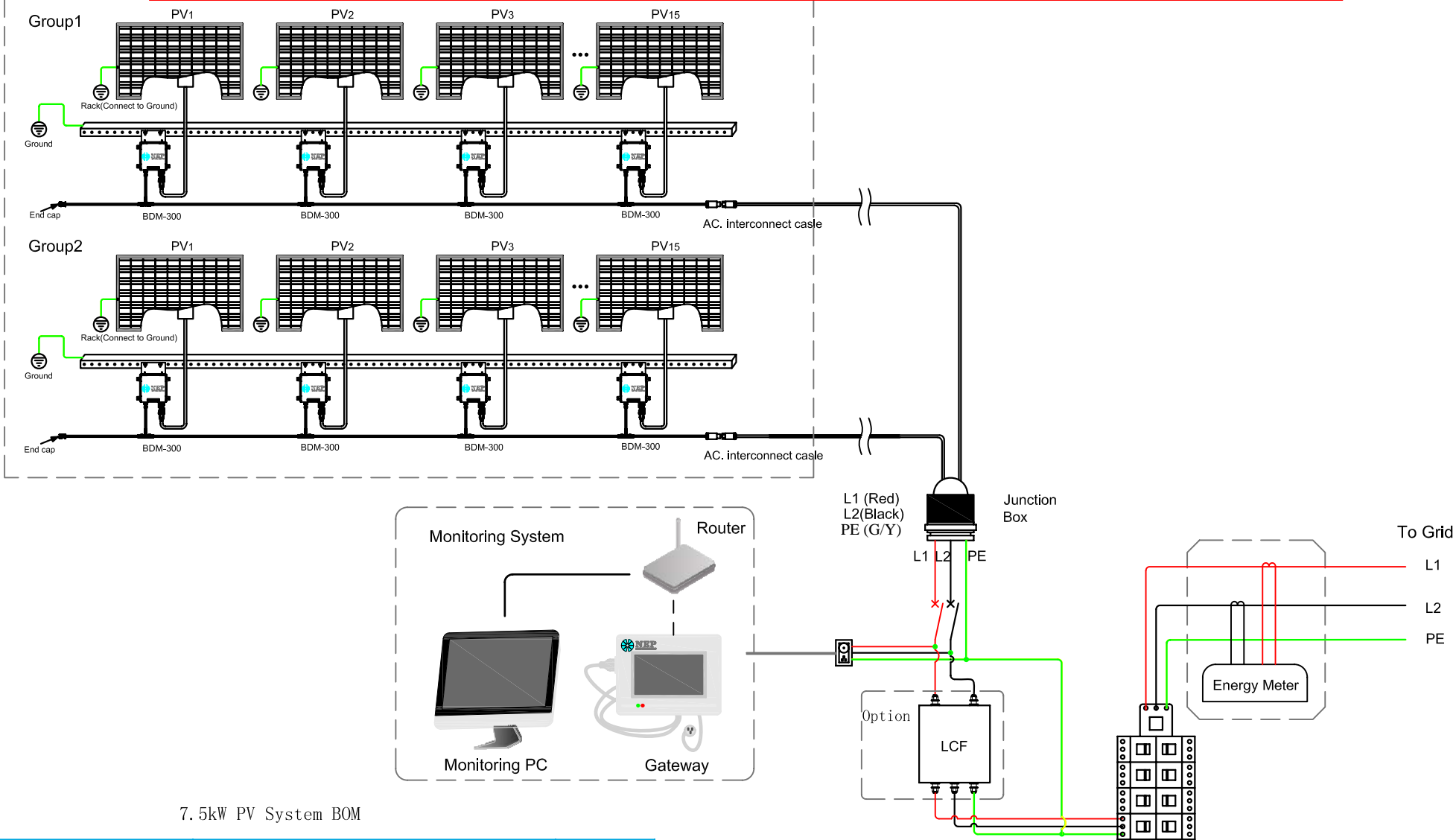


**3kW PV System BOM**

Specification	Description	Quantity
250W PV module	PV PANELS	12
BDM-250-240A	250W Micro Inverter w/ attached AC cables and accessories	12
BDG-256	Communication Gateway w/ BDG-256-PC-NA power cord	1
LCF(Line Communications Filter)		option
AC interconnect cable	16 feet AC cable w/ female connector	1
End cap	male end cap	1

Quantity:		Material:			
Designed by:	Checked by:	Approved by:	Date:	Edition:	Scale:
			Title: 3kW PV System		
Drawing number:				Sheet 1 of 1	

# BDM-300 Wiring Diagram, Single phase for U.S.

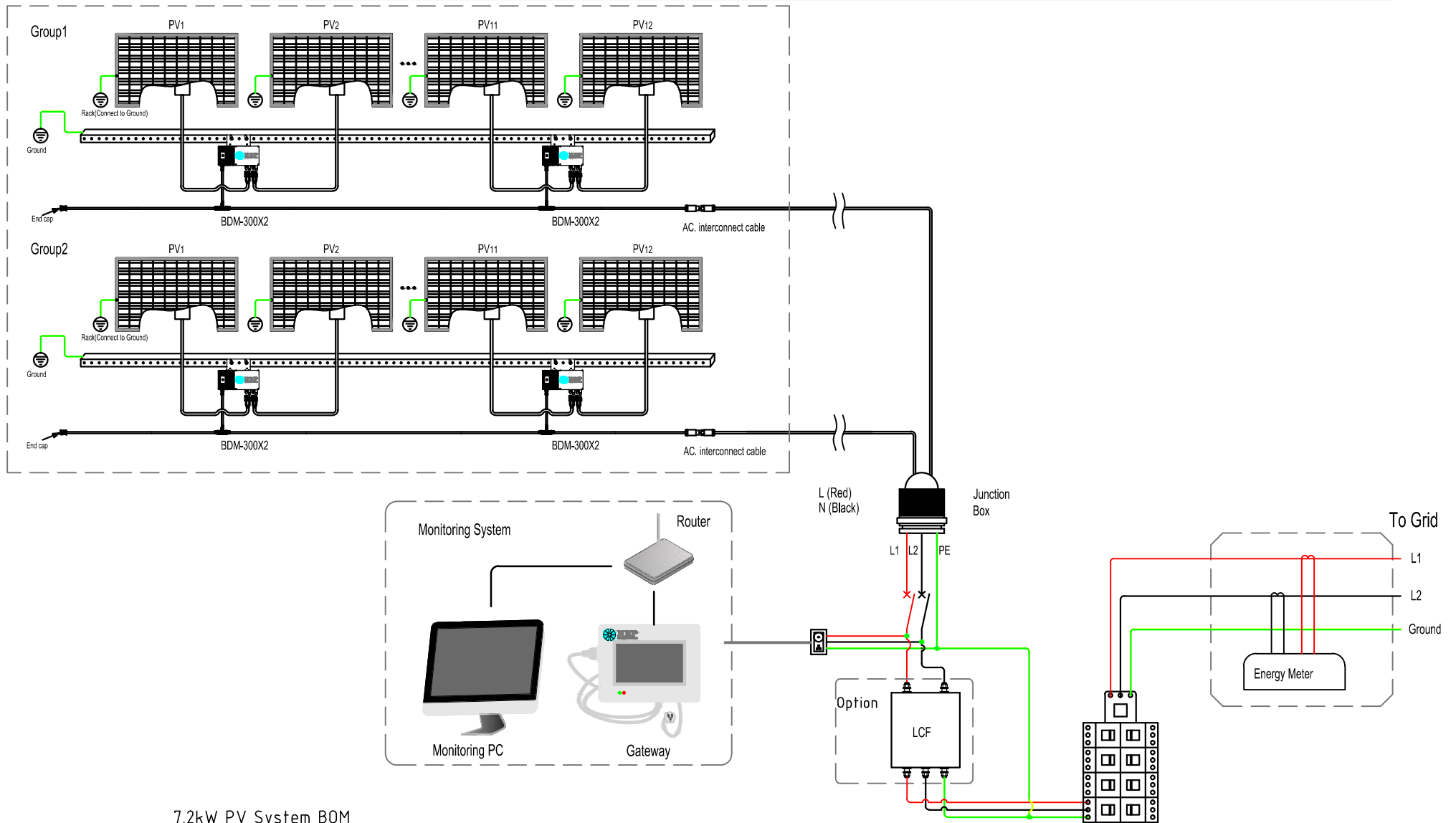


7.5kW PV System BOM

Specification	Description	Quantity
PV module	PV PANELS (300W)	30
BDM-300	Micro Inverter w/integrated grounding	30
BDG-256	Communication Gateway w/BDG-256-PC-NA power cord	1
LCF (Line Communications Filter)		option
Trunk cable drops	12AWG	30
Male Connector		2
AC interconnect cable	16 feet AC cable w/ female connector	2
End cap	male end cap w/female connector	2

Quantity:	Material:				
Designed by:	Checked by:	Approved by:	Date:	Edition:	Scale:
		Title: 9.0 kW PV System (NA)			
Drawing number:				Sheet 1 of 1	

# BDM-600 Wiring Diagram, Single phase for U.S.



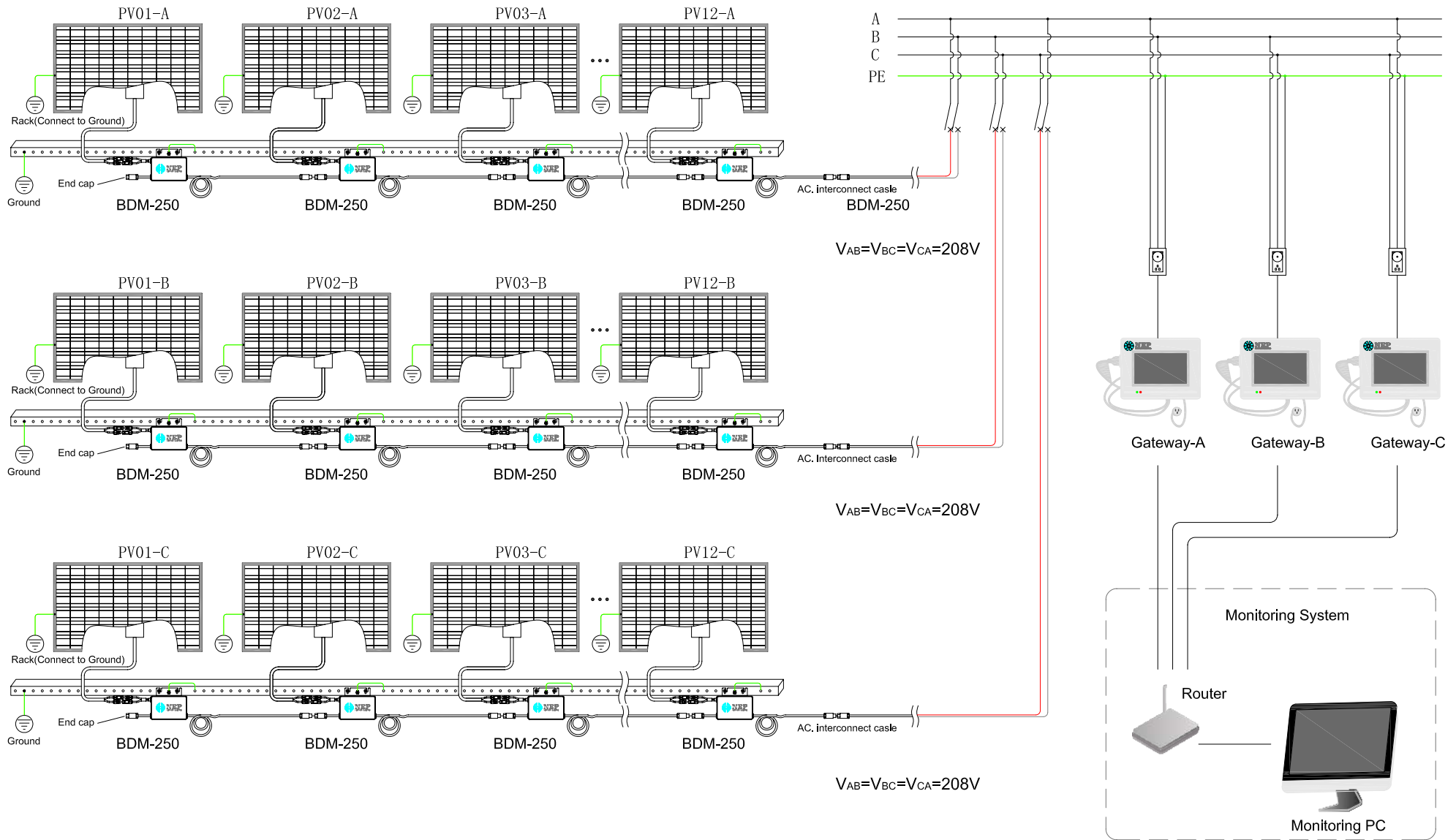
7.2kW PV System BOM

Specification	Description	Quantity
300W PV module	PV PANELS	24
BDM-300X2	Dual Input Micro Inverter	12
BDG-256	Communication Gateway	1
LCF (Line Communications Filter)		option
Trunk cable drops	2m or 4m separate	12
Female Connector	2	
AC interconnect cable	16 feet AC cable w/ female connector	2
End cap	male end cap w/female connector	2

Quantity:		Material:			
Designed by:	Checked by:	Approved by:	Date:	Edition:	Scale:
<b>NEP</b> NORTHERN ELECTRIC			Title: 7.2kW PV System(NA)		
Drawing number:				Sheet 1 of 1	



# BDM-250 Wiring Diagram, Three phase for U.S.

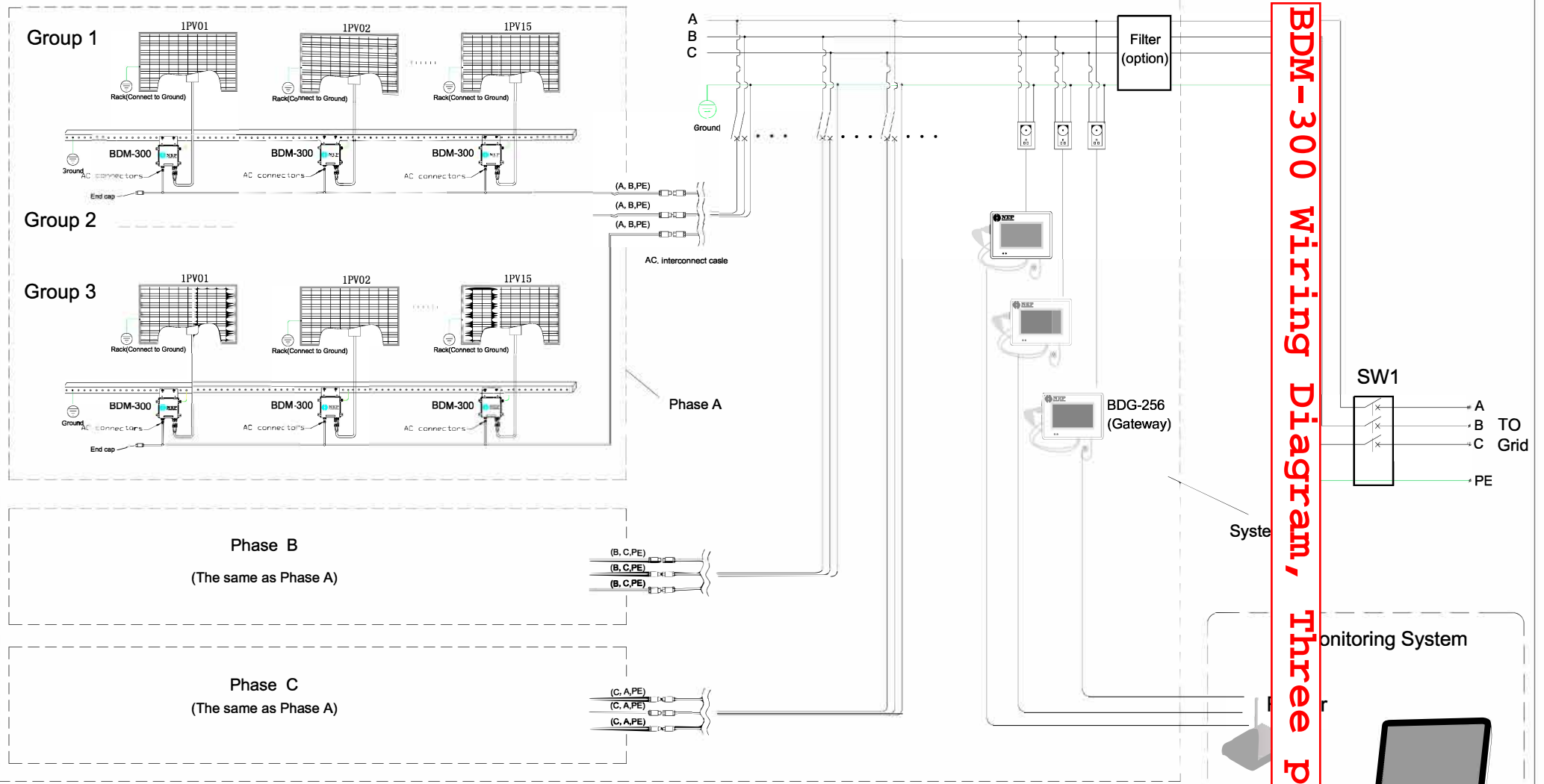


9kW PV System BOM

wire color

Specification	Description	Quantity	North America	Quantity:	Material:					
250W PV module	PV PANELS	36	L1/L2/L3 Red	Designed by:	Checked by:	Approved by:	Date:	Edition:	Scale:	
BDM-250-240A	250W Micro Inverter w/ attached AC cables and accessories	36		Quantity:	Material:					
BDG-256	Communication Gateway w/ BDG-256-PC-NA power cord	3	L1/L2/L3 Black				Title: 9kW PV System			
AC interconnect cable	16 feet AC cable w/ female connector	3	Unused Blue				Drawing number:			Sheet 1 of 1
End cap	male end cap	3								

**BDM-300 Wiring Diagram, Three phase FOR U.S.**



Phase B  
(The same as Phase A)

Phase C  
(The same as Phase A)

WIRE COLOR

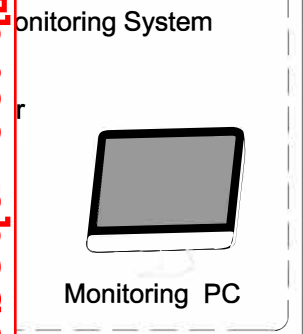
	North America
L1/L2/L3	Red
L1/L2/L3	Black
PE	Green/Yellow

Quantity :		Material :	
Designed by :	Checked by :	Approved by :	Date :

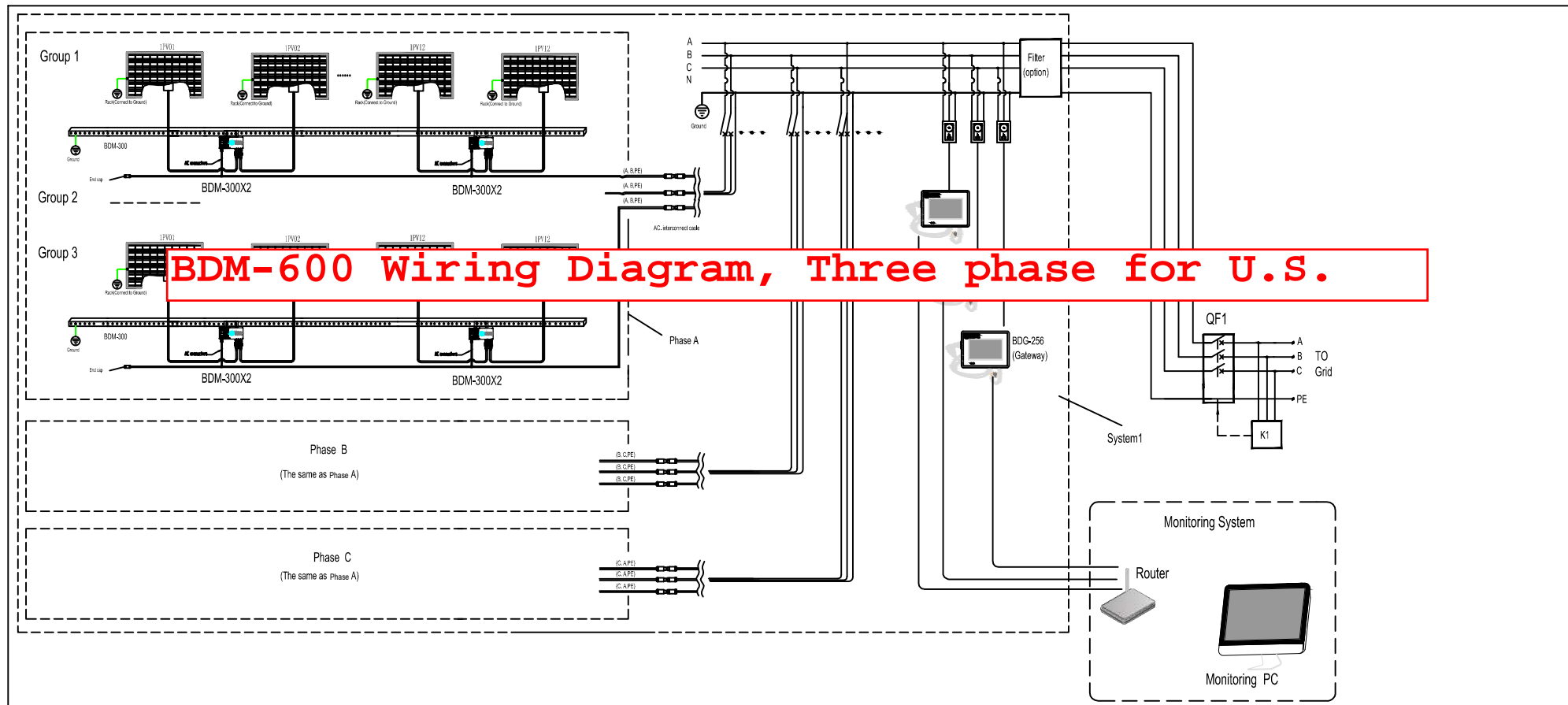


Title : PV System

Drawing number :



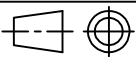

Edition :	Scale :
-----------	---------



**BDM-600 Wiring Diagram, Three phase for U.S.**

WIRE COLOR

	North America
L1/L2/L3	Red
L1/L2/L3	Black
PE	Green/Yellow

Quantity :	Material :		
Designed by :	Checked by :	Approved by :	Date :
		Title : PV Sytem	Scale :
Drawing number :		Sheet 1 of 1	